

D-BUT

Rubber Bellow Seal

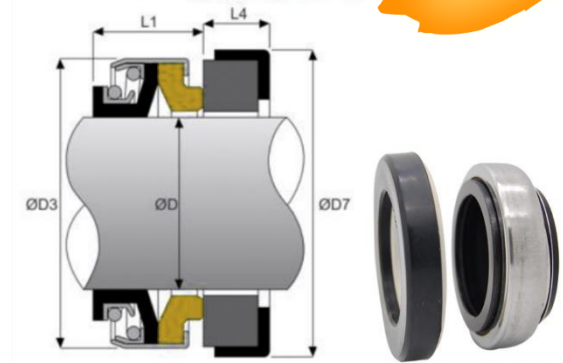
DAIKOTE
INNOVATIVE SOLUTIONS

Materials

Stationary: - Car / SiC
Rotary: - Car / SiC
Elastomer: - NBR / EPDM / Viton

Working Conditions

Pressure: ≤ 5 bar
Speed: ≤ 10 m/s
 Temperature up to 100°C



Code	Shaft ØD	ØD3	ØD7	L1	L4
0060	6	18	22	11	4
0080	8	18	22	11	4
008A	8	24	26	11	8
0100	10	24	26	13	8
011A	11	24	26	13	8
012A	12	24	26	13	5.5
012B	12	24	26	13	8
012C	12	32	35	13	8
013A	13	24	26	13	8
013B	13	24	26	11	5.5
013D	13	24	25	16.4	7.8
014A	14	32	35	13	8
014B	14	28	28	13	8
014C	14	32	29.5	13	8
014D	14	32	26	13	7.5
014E	14	32	38	13	8
014F	14	28	30	13	8
014P	14	27.5	28.5	13	8
015C	15	32	29.5	13.5	8
015P	15	27.5	30	13	8
016A	16	32	38	13	8
016B	16	39	42	13	8
016C	16	32	29.5	13.5	8
016E	16	32	30	13	7
016P	16	27.5	30	13	8
016S	16	28	29.5	13	8
0170	17	39	42	13	8

Code	Shaft ØD	ØD3	ØD7	L1	L4
0180	18	39	42	13	8
0190	19	39	42	13	8
020A	20	39	42	13	8
020B	20	42	45	13	10
020P	20	35	38	13	8
0220	22	42	45	13	10
0230	23	47	50	13.5	10
0240	24	47	50	13.5	10
025A	25	47	50	13.5	10
025B	25	42	50	13.5	10
025D	25	42	40	12.8	6
025P	25	42	45	13.5	10
0260	26	47	50	13.5	10
0270	27	47	50	13.5	10
0280	28	54	57	15	10
0300	30	54	57	15	10
0320	32	54	57	15	10
0350	35	60	63	16	10
035B	35	60	57	16	10
0380	38	65	68	18	12
0400	40	65	68	18	12
0450	45	70	73	20	12
0500	50	85	88	23	15
0550	55	85	88	23	15
0600	60	105	110	30	15
0650	65	105	110	30	15
0700	70	105	110	32	15