

D-AI

Multiple Spring Seal

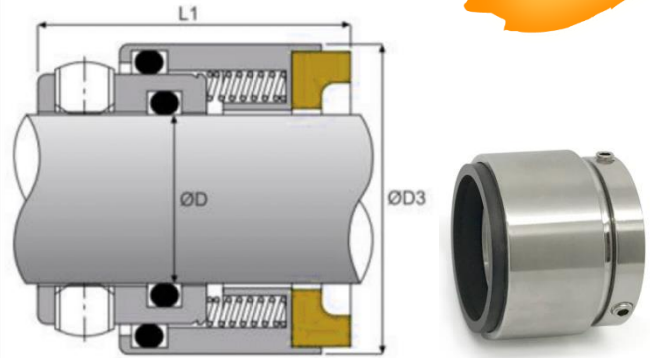
DAIKOTE
INNOVATIVE SOLUTIONS

Materials

Rotary: - Car / SiC / SSiC / TC
Elastomer: - NBR / EPDM / Viton / Aflas / FFKM

Working Conditions

Pressure: ≤ 20 bar
Speed: ≤ 25 m/s
Temperature: -40°C to 205°C



Shaft ØD	ØD3	L1
18	32	27.9
20	34	27.9
22	36	27.9
24	38	29.9
25	39	29.9
28	42	32.4
30	44	32.4
32	46	32.4
33	47	32.4
35	49	32.4
38	54	33.9
40	56	33.9
43	59	33.9
45	61	33.9
48	64	33.9
50	66	34.4
53	69	34.4
55	71	34.4
58	78	38.9
60	80	38.9
63	83	38.9
65	85	38.9
68	88	37.4
70	90	44.9
75	99	44.9
80	104	44.2
85	109	44.2
90	114	49.2
95	119	49.2
100	124	49.2