

D-680

Metal Bellow Seal

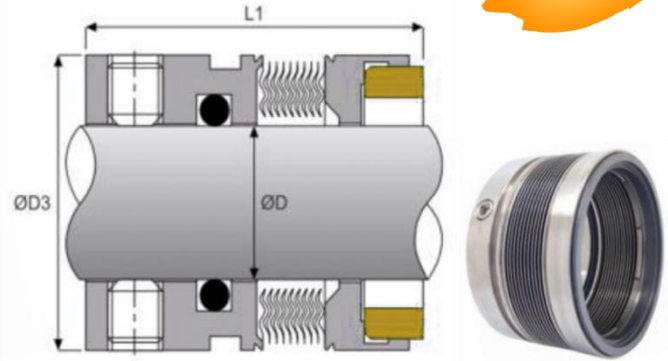
DAIKOTE
INNOVATIVE SOLUTIONS

Materials

Rotary: - Car / SiC / SiC / TC
Elastomer: - NBR / EPDM / Viton / Aflas / FFKM / PTFE

Working Conditions

Pressure: ≤ 15 bar
Speed: ≤ 12 m/s
Temperature: -40°C to 205°C



Imperial			Metric		
Shaft ØD	ØD3	L1	Shaft ØD	ØD3	L1
19.1	33.3	31.8	18	32	27.5
22.2	36.8	31.8	20	33.3	27.5
23.8	38.1	31.8	22	36	27.5
25.4	39.7	31.8	24	38.1	30
28.6	42.8	31.8	25	39	30
31.7	46	33.3	28	42	32.5
34.9	49.2	36.5	30	44	32.5
38.1	52.4	36.5	32	46	32.5
41.3	55.5	36.5	33	47	32.5
44.5	58.7	36.5	35	49	32.5
47.6	61.9	38.1	38	52.4	34
50.8	65.1	38.1	40	55.6	34
54	68.2	38.1	43	58.7	34
57.2	71.4	39.7	45	58.7	34
60.3	74.6	39.7	48	61.9	34
63.5	80.9	39.7	50	65.1	34.5
66.7	84.1	41.3	53	68.3	34.5
69.9	87.3	41.3	55	71	34.5
73	92.1	42.8	60	74.6	39.5
76.2	95.3	42.8	65	84.1	39.5
79.4	98.4	44.5	70	87.3	45
82.1	101.6	44.5	75	95.3	45
85.7	104.8	44.5	80	98.4	44.5
88.9	108	47.6	85	104.8	44.5
92.1	111.1	47.6	90	108	49.5
95.3	114.3	47.6	95	114.3	49.5
98.4	117.5	47.6	100	120.7	49.5
101.6	120.7	47.6	-	-	-