

D-2906

API Double Metal Bellow Cartridge Seal

DAIKOTE
INNOVATIVE SOLUTIONS

Materials

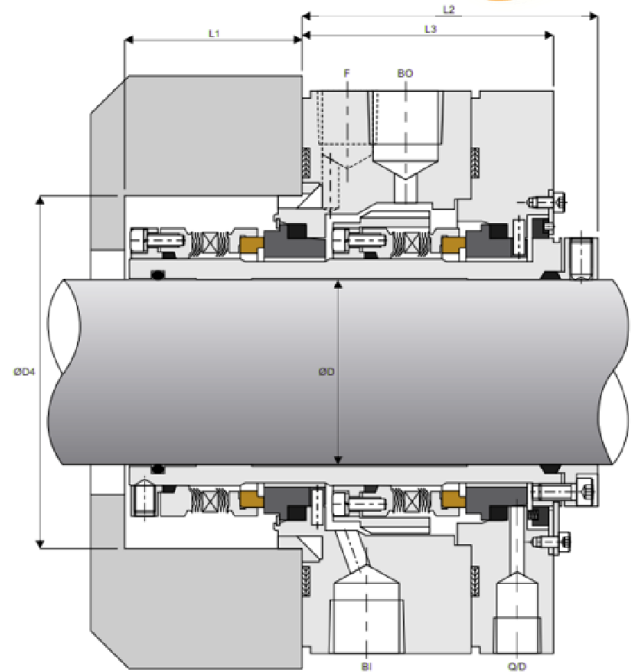
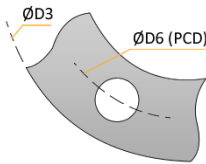
Stationary: - SiC / SSiC / TC
Rotary: - Ant Car / Car / SiC / SSiC / TC
Elastomer: - Graphite

Working Conditions

Pressure: ≤ 20 bar
Speed: ≤ 25 m/s
 Temperature from -75°C to 425°C

Features

API 682
 Bi-directional pumping device
 Safety seal
 High temperature
 Reverse pressure capable
 Optimum 45° tilt angle
 Multi-flush port



Seal Size	Shaft ØD Max		ØD3		ØD4		Stud Size		ØD6 PCD		
	mm	inch	mm	inch	mm	inch	mm	inch	mm	inch	
1	20	0.787	NO DESIGN AVAILABLE FOR THIS SIZE								
2	30	1.181	140	5.512	80	3.150	M12x1.75	1/2"-13	115	4.528	
3	40	1.575	150	5.906	90	3.543	M12x1.75	1/2"-13	125	4.921	
4	50	1.969	175	6.890	100	3.937	M16x2.0	5/8"-11	140	5.512	
5	60	2.362	195	7.677	120	4.724	M16x2.0	5/8"-11	160	6.299	
6	70	2.756	205	8.071	130	5.118	M16x2.0	5/8"-11	170	6.693	
7	80	3.150	215	8.465	140	5.512	M16x2.0	5/8"-11	180	7.087	
8	90	3.543	245	9.646	160	6.299	M20x2.5	3/4"-10	205	8.071	
9	100	3.937	255	10.039	170	6.693	M20x2.5	3/4"-10	215	8.465	
10	110	4.331	265	10.433	180	7.087	M20x2.5	3/4"-10	225	8.858	

Seal Size	L1		L2		L3	
	mm	inch	mm	inch	mm	inch
1	NO DESIGN AVAILABLE FOR THIS SIZE					
2	52	2.047	98	3.858	82	3.228
3	57	2.244	98	3.858	82	3.228
4	52	2.047	108	4.252	92	3.622
5	57	2.244	108	4.252	92	3.622
6	62	2.441	108	4.252	92	3.622
7	67	2.638	108	4.252	92	3.622
8	62	2.441	119	2.685	102	4.016
9	67	2.638	119	2.685	102	4.016
10	72	2.835	119	2.685	102	4.016