

D-21 / D-100 / D-120 / D-200

Rubber Bellow Seal

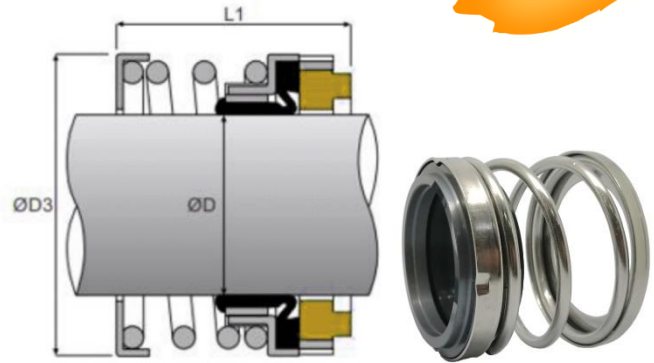
DAIKOTE
INNOVATIVE SOLUTIONS

Materials

Rotary: - Car / SiC / SSiC / TC
Elastomer: - NBR / EPDM / Viton

Working Conditions

Pressure: ≤ 8 bar
Speed: ≤ 10 m/s
Temperature up to 150°C



Metric		Imperial		ØD3	L1				ØD7	L4
Code	ØD	Code	ØD		S21	S120	S100	S200		
0120	12	0127	0.500	24.0	20.6	31.7	43.6	25.4	27.80	8.7
0140	14	0158	0.625	26.7	22.2	34.9	43.6	25.4	30.95	10.3
0160	16	0158	0.625	26.7	22.2	34.9	43.6	25.4	30.95	10.3
0180	18	0191	0.750	31.2	22.2	34.9	43.6	25.4	34.15	10.3
0200	20	0222	0.875	33.5	23.8	36.5	43.6	25.4	37.30	10.3
0220	22	0222	0.875	33.5	23.8	36.5	43.6	25.4	37.30	10.3
0240	24	-	-	39.2	25.4	41.2	43.6	25.4	40.50	10.3
0250	25	-	-	39.2	25.4	41.2	43.6	25.4	40.50	10.3
-	-	0254	1.000	43.2	25.4	41.2	43.6	25.4	40.50	10.3
0280	28	0286	1.125	46.5	26.9	42.8	60.3	33.3	47.65	11.9
0300	30	0317	1.250	49.5	26.9	42.8	60.3	33.3	50.80	11.9
0320	32	0317	1.250	49.5	26.9	42.8	60.3	33.3	50.80	11.9
0330	33	0349	1.375	52.7	28.5	42.8	60.3	33.3	54.00	11.9
0350	35	0349	1.375	52.7	28.5	42.8	60.3	33.3	54.00	11.9
0380	38	0381	1.500	56.0	28.5	42.8	60.3	33.3	57.15	11.9
0400	40	0412	1.625	62.2	34.9	50.8	60.3	33.3	60.35	11.9
0430	43	0444	1.750	66.0	34.9	50.8	70.6	40.4	63.50	11.9
0440	44	0444	1.750	66.0	34.9	50.8	70.6	40.4	63.50	11.9
0450	45	0444	1.750	66.0	34.9	50.8	70.6	40.4	63.50	11.9
0480	48	0476	1.875	66.0	38.1	53.9	70.6	40.4	66.70	11.9
0500	50	-	-	71.7	38.1	53.9	70.6	40.4	69.85	13.5
-	-	0508	2.000	73.0	38.1	53.9	70.6	40.4	69.85	13.5
0530	53	0539	2.125	73.5	42.8	60.3	71.0	41.0	69.85	13.5
0550	55	0571	2.250	79.6	42.8	60.3	71.0	41.0	76.20	13.5
0580	58	0603	2.375	82.0	46.0	63.5	71.0	41.0	79.40	13.5
0600	60	0603	2.375	82.0	46.0	63.5	71.0	41.0	79.40	13.5
0630	63	0635	2.500	85.0	46.0	63.5	71.0	41.0	82.55	13.5
0650	65	0666	2.625	88.5	49.2	69.8	70.0	49.0	92.10	15.9
0680	68	0698	2.750	92.7	49.2	69.8	70.0	49.0	95.25	15.9
0700	70	0698	2.750	92.7	49.2	69.8	70.0	49.0	95.25	15.9
0730	73	0730	2.875	95.0	52.3	73.0	73.0	49.0	98.45	15.9
0750	75	0762	3.000	102.0	52.3	73.0	73.0	49.0	101.60	15.9