

# D-2

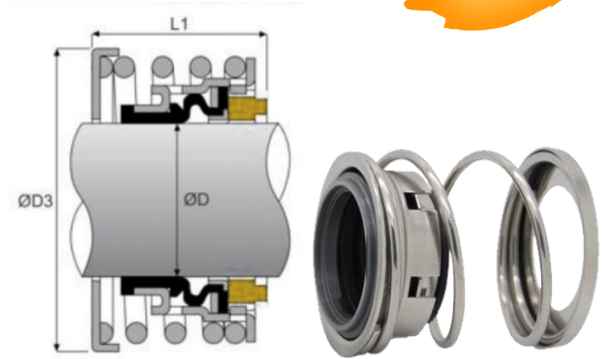
## Rubber Bellow Seal

### Materials

**Rotary:** - Car / SiC / SSiC / TC  
**Elastomer:** - NBR / EPDM / Viton

### Working Conditions

**Pressure:** ≤ 28 bar  
**Speed:** ≤ 13 m/s  
Temperature up to 205°C



Shaft ØD		ØD3	L1
Metric	Imperial		
12	12.7	30.2	20.7
14	-	33.3	22.2
16	15.9	33.3	22.2
18	19.1	36.5	22.2
20	-	39.7	23.8
22	22.2	39.7	23.8
24	-	45.3	25.4
25	25.4	45.3	25.4
28	28.6	48.5	27.0
30	-	52.8	27.0
32	31.7	52.8	27.0
33	-	56.0	28.6
35	34.9	56.0	28.6
38	38.1	59.2	28.6
40	41.2	67.0	34.9
43	-	70.1	34.9
45	44.4	70.1	34.9
48	47.6	73.2	38.1
50	50.8	76.5	38.1
53	53.9	82.7	42.8
55	57.1	85.9	42.8
60	60.3	89.1	46.0
63	63.5	92.2	46.0
65	66.6	98.4	49.2
70	69.8	101.6	49.2
73	73.0	104.8	52.4
75	76.2	108.0	52.4