

D-1 / D-1A

Rubber Bellow Seal

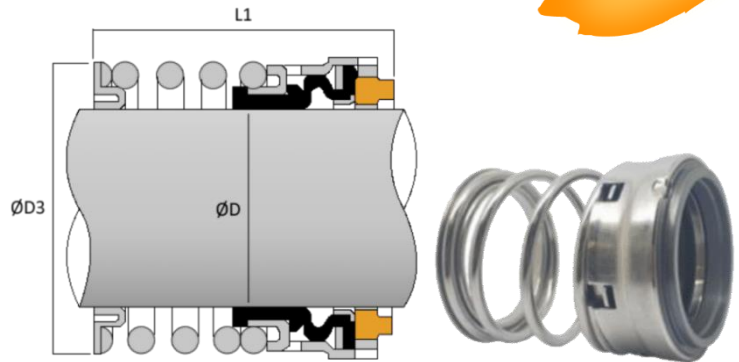
DAIKOTE
INNOVATIVE SOLUTIONS

Materials

Rotary: - Car / SiC / SSiC / TC
Elastomer: - NBR / EPDM / Viton

Working Conditions

Pressure: ≤ 28 bar
Speed: ≤ 13 m/s
Temperature up to 205°C



Shaft Size ØD		ØD	L1	
Metric	Imperial		D-1	D-1A
14	15.8	27.8	33.3	44
16	15.8	27.8	33.3	44
17	19.0	30.9	33.3	44
18	19.0	30.9	33.3	44
19	19.0	30.9	33.3	44
20	20.6	34.1	34.9	44
22	22.2	34.1	34.9	44
24	25.4	38.1	39.7	44
25	25.4	38.1	39.7	44
27	28.5	41.3	41.3	60
28	28.5	41.3	41.3	60
29	28.5	41.3	41.3	60
30	31.7	46.0	41.3	60
32	31.7	46.0	41.3	60
34	34.9	48.7	42.8	60
35	34.9	48.7	42.8	60
38	38.1	51.9	42.8	60
40	41.2	58.1	50.8	60
42	41.2	58.1	50.8	60
43	44.4	61.3	50.8	71
45	44.4	61.3	50.8	71
48	47.6	64.5	54.0	71
50	50.8	67.2	54.0	71
53	53.9	72.0	60.3	71
54	53.9	72.0	60.3	71
55	57.1	75.3	60.3	71
60	60.3	78.3	63.5	71
63	63.5	81.5	63.5	71
65	66.6	86.2	69.9	70
70	69.8	89.4	69.9	70
73	73.0	92.6	73.0	73
75	76.2	95.8	73.0	73
-	79.3	102	79.5	79
80	82.5	105	79.4	79
85	85.7	108	79.4	79
90	88.9	111	79.4	79
-	92.0	114	82.6	83
95	95.2	118	82.6	83
-	98.4	121	85.7	86
100	101.6	124	85.7	86